

Part number

# MKA IAF25



## Brief description:

angled bulkhead housings with single lever, size "21.21", for coupling, M25 threading (\*), M25, metal version, IP44, IP66/IP67 degree of protection with CKR 65 kit or CKR 65 D kit.


### Product description

<b>Version</b>	Metallic type
<b>Series</b>	Angled mounting housings with 1 lever
<b>Product type</b>	with 1 lever in galvanised steel
<b>Variant</b>	M25 fixing thread
<b>Family</b>	CKA metal enclosures
<b>Size</b>	size "21.21"

### Technical data

<b>Operating temperature range (min, max)</b>	-40°C ... +125°C
<b>Material</b>	metal
<b>IP degree of protection</b>	IP44 (IP66/IP67 with CKR 65/CKR 65 D kits)
<b>Cable entry</b>	M25

### Approvals / Standards

<b>Quality mark</b>	type: 12, (type 4/4X only with kit CKR 65 or CKR 65 D),  , EAC
<b>Conformity</b>	CQC, CE

### General ordering information

<b>EAN13 code</b>	8015747176019
<b>Tariff number</b>	85369095

### Packaging Information

<b>Sub-packaging length</b>	140,00 mm
<b>Sub-packaging height</b>	66,00 mm
<b>Sub-packaging width</b>	150,00 mm
<b>Sub-packaging volume</b>	1,39 dm <sup>3</sup>
<b>Sub-packaging description</b>	Carton Box
<b>Sub-packaging quantity</b>	10 Pcs
<b>Sub-packaging EAN barcode</b>	8015747176026

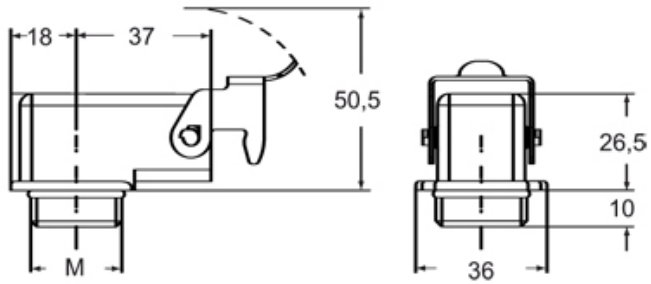
Part number

# MKA IAF25

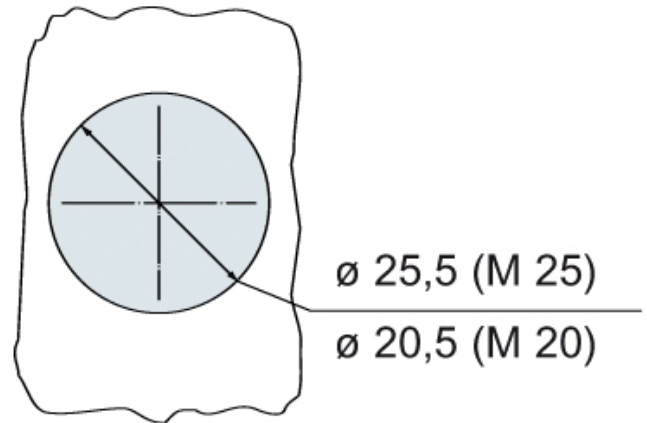


Catalogue drawings

MKA IAF



Catalogue drawings



## Notes

(\*) counternut supplied on request, see catalogue cable glands (part No. AS M20N and AS M25N metal version, AS M20L and AS M25L insulating version)